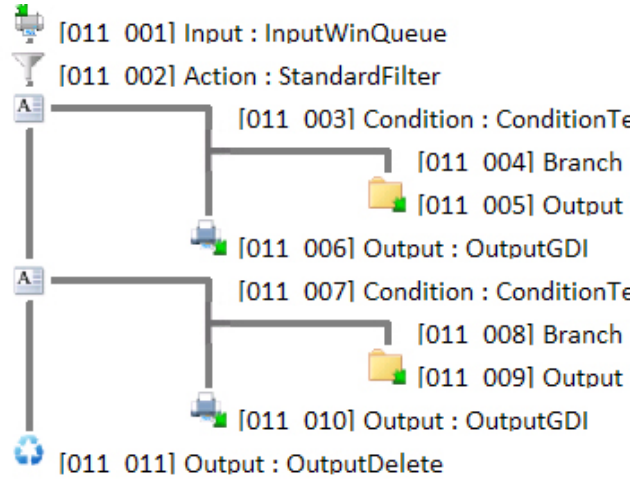


PREPARED FOR

DEMO WORKFLOW



ABSTRACT

A comprehensive documentation of the PlanetPress Workflow including a process summary; a schematic for each process; a description of each step in the process and the main parameters used.

VDP-IT Documentor

PLANETPRESS

WORKFLOW

DOCUMENTATION

Demo Workflow - Summary of Processes

A list of the processes found in the workflow. For each process the list shows:-

- Stp - the number of steps in the process.
- Name/Group - the name of the process and the group it belongs to.
- Active - if the process is currently active.
- SelRep - if the process is self replicating.
- When - if the process runs SoonAs the number of seconds to wait.
- Emu - The starting emulation assigned to the process.
- Enc - the default file encoding assigned to the process.

Processes (18)

No	Stp Name	Group	Active	Start	SelRep	When	Emu	Enc
001::	(007)Startup process		Active	Startup		SoonAs: (4)	LineP 1	
002::	(061)Main Print Process		Active			SoonAs: (4)	LineP 1	
003::	(048)General Sort and Print		Active			SoonAs: (4)	LineP 1	
004::	(016)Reprint Process		Active			SoonAs: (7)	ASCII 1	
005::	(015)Email Invoice Process		Active			SoonAs: (4)	LineP 1	
006::	(002)WEBSITE FTP		Active			SoonAs: (5)	ASCII 1	
007::	(011)FTP Invoice Process		Active			SoonAs: (20)	LineP 1	
008::	(144)Reports Process		Active			SoonAs: (10)	ASCII 1	
009::	(148)Client Processes		Active			SoonAs: (10)	LineP 1	
010::	(109)New Reprint		Active			SoonAs: (4)	ASCII 1	
011::	(002)Print pdf to Service		Active			SoonAs: (5)	LineP 1	
012::	(006)Client Invoice Split		Active			SoonAs: (5)	LineP 1	
013::	(006)Client Credit Note Split		Active			SoonAs: (8)	LineP 1	
014::	(003)client Mailer Reprint		Active			SoonAs: (4)	LineP 1	
015::	(007)Client Despatch Acknowledgement		Active			SoonAs: (4)	ASCII 1	
016::	(002)SERVICE FTP		Active			SoonAs: (4)	ASCII 1	
017::	(012)XML Submit		Active			SoonAs: (10)	LineP 1	
018::	(004)Error Process		Active			SoonAs: (4)	LineP 19	

Summary of Sub-Processes

Sub Processes (3)

No	Name	Emu	Enc
001::	Subprocess1	LineP	19
002::	Subprocess2	LineP	19
003::	Replace Bad Chars	LineP	19

Summary of Global Variables

Global Variables (7)

No	Name	Value
001::	RootDir	C:\PlanetPress
002::	Debug	1
003::	Name	Demo
004::	DemoRootfolder	C:\CB\PlanetPressImport
005::	Democnxstring	DSN=MS Access Database;DBQ=C:\CFB\db\MyData.accdb;DefaultDir=C:\CFB\db;
006::	Datefunction	GETDATE()
007::	PPCustomDir	C:\PPWork

Document Summary

Documents (51)

No	Name	Trigger	Run Mode	Location
001::	ePDQ_email.ptk	Regular	Opt PS Stream	Workflow
002::	ePDQreceipt.ptk	Regular	Print Centric	Workflow
003::	Test_Email.ptk	Regular	Print Centric	Workflow
004::	CNote.ptk	Regular	Print Centric	Workflow
005::	EQInvoice.ptk	Regular	Print Centric	Workflow
006::	EQMailer.ptk	Regular	Print Centric	Workflow
007::	Invoice.ptk	Regular	Print Centric	Workflow
008::	Mailer.ptk	Regular	Print Centric	Workflow
009::	Remit.ptk	Regular	Print Centric	Workflow
010::	ServiceInvoice.ptk	Regular	Print Centric	Workflow
011::	Statement.ptk	Regular	Print Centric	Workflow
012::	Invoice-Canon.ptk	Regular	Print Centric	Workflow
013::	Invoice-Ricoh.ptk	Regular	Print Centric	Workflow
014::	CNote - Ricoh.ptk	Regular	Print Centric	Workflow
015::	CNote - Canon.ptk	Regular	Print Centric	Workflow
016::	PNote.ptk	Regular	Opt PS Stream	Workflow
017::	ServiceInvoice-Ricoh.ptk	Regular	Print Centric	Workflow
018::	EQCNote.ptk	Regular	Print Centric	Workflow
019::	EQ_Des_Ack.ptk	Regular	Print Centric	Workflow
020::	EQJobLabel.ptk	Regular	Print Centric	Workflow
021::	PNote_page2-3.ptk	Regular	Print Centric	Workflow
022::	PNote_page1.ptk	Regular	Print Centric	Workflow
023::	EQCNoteP.ptk	Regular	Print Centric	Workflow
024::	XML-META.ptk	Regular	Opt PS Stream	Workflow
025::	Bulk Load Sheet.ptk	Regular	Opt PS Stream	Workflow
026::	Collection Authorisation-Sale	Regular	Opt PS Stream	Workflow
027::	Credit note German.ptk	Regular	Opt PS Stream	Workflow
028::	Credit note Salon Foils.ptk	Regular	Opt PS Stream	Workflow
029::	Credit note.ptk	Regular	Opt PS Stream	Workflow
030::	Delivery Note.ptk	Regular	Opt PS Stream	Workflow
031::	Despatch Note.ptk	Regular	Opt PS Stream	Workflow
032::	Driver Manifest.ptk	Regular	Opt PS Stream	Workflow
033::	Export packing list.ptk	Regular	Opt PS Stream	Workflow
034::	Invoice 050614.ptk	Regular	Opt PS Stream	Workflow
035::	Invoice 3663.ptk	Regular	Opt PS Stream	Workflow
036::	Invoice Commercial.ptk	Regular	Opt PS Stream	Workflow
037::	Invoice Export.ptk	Regular	Opt PS Stream	Workflow
038::	Invoice general.ptk	Regular	Opt PS Stream	Workflow
039::	Invoice German Export.ptk	Regular	Opt PS Stream	Workflow
040::	Invoice German.ptk	Regular	Opt PS Stream	Workflow
041::	Invoice old.ptk	Regular	Opt PS Stream	Workflow
042::	Invoice test.ptk	Regular	Opt PS Stream	Workflow
043::	Invoice-DN3.ptk	Regular	Opt PS Stream	Workflow
044::	No name.ptk	Regular	Opt PS Stream	Workflow
045::	Order Acknowledgement.ptk	Regular	Opt PS Stream	Workflow
046::	PDFMaker.ptk	Regular	Opt PS Stream	Workflow
047::	Purchase Order blanket.ptk	Regular	Opt PS Stream	Workflow
048::	Purchase Order.ptk	Regular	Opt PS Stream	Workflow
049::	Remittance.ptk	Regular	Opt PS Stream	Workflow
050::	Rouge_Payslip.ptk	Regular	Opt PS Stream	Workflow
051::	Test only Detail Load Sheet.p	Regular	Opt PS Stream	Workflow

Active forms in the Workflow

CNote - Canon.ptk
 CNote - Ricoh.ptk
 CNote.ptk
 ePDQ_email-Ricoh.ptk
 ePDQ_email-Sharp.ptk
 EQ_PNote.ptk
 EQ_Des_Ack.ptk
 EQCNote.ptk
 EQCNoteP.ptk
 EQInvoice.ptk
 EQJobcard.ptk
 EQJobLabel.ptk
 EQMailer.ptk
 Invoice-Canon.ptk
 Invoice-Ricoh.ptk
 Mailer.ptk
 OutForm%8.ptk
 PNote.ptk
 Remit.ptk
 Reports-Sharp.ptk
 ServiceInvoice.ptk
 Statement.ptk

Summary of Printer Queues

Queues (11)

No	Name	Type
001::	Ricoh Printer	Windows Output
002::	Sharp Win Q	Windows Output
003::	Warehouse	Windows Output
004::	Parts	Windows Output
005::	Canon iRC2880	Windows Output
006::	SA1	Windows Output
007::	SA2	Windows Output
008::	SA3	Windows Output
009::	SA4	Windows Output
010::	SA5	Windows Output
011::	SA6	Windows Output

Folders in the Workflow

```
{global.JRrootfolder}\input\txt
{global.JRrootfolder}\output\txt
{global.JRrootfolder}\output\txt\%{TASK_ID}
{rootdir}\out
\eco\Common Area\Accounts\Session Audit
\eco\User Area\Users\PlanetPress Print Input\PrintToService
\ExantBI\Accounts\Month End
\ExantBI\sales\Month End
\ExantBI\Service\Month End
\MAS_Archive\PlanetPress\Data Backup
\SERV1\Archive\Documents\Accounts\Document Archive\Accounts Office Posting List
\SERV1\Archive\Documents\Accounts\Document Archive\AFI
\SERV1\Archive\Documents\Accounts\Document Archive\Purchase Ledger
\SERV1\Archive\Documents\Accounts\Document Archive\Statements
\SERV1\Archive\Documents\Materials\Document Archive\Credit Notes
\SERV1\Archive\Documents\Materials\Document Archive\Invoices
\SERV1\Archive\Documents\Materials\Document Archive\Invoices\By Account
\SERV1\Archive\Documents\Materials\Document Archive\Invoices\By Invoice
\SERV1\Archive\Documents\Materials\Document Archive\Pick Notes
\SERV1\Archive\Documents\Other\Document Archive
\SERV1\Archive\Documents\Other\Document Archive\EDI
\SERV1\Archive\Documents\Other\Document Archive\EDI Invoices
\SERV1\Archive\Documents\Sales\Document Archive\Batch Allocation
\SERV1\Archive\Documents\Sales\Document Archive\Credit Notes
\SERV1\Archive\Documents\Sales\Document Archive\Invoice Credit Summary
\SERV1\Archive\Documents\Sales\Document Archive\Invoices
\SERV1\Archive\Documents\Sales\Document Archive\Invoices\By Account
\SERV1\Archive\Documents\Sales\Document Archive\Invoices\By Invoice
\SERV1\Archive\Documents\Sales\Document Archive\Manual Allocation
\SERV1\Archive\Documents\Sales\Document Archive\Suspended Order Release
\SERV1\Archive\Documents\Service\Document Archive\Analysis Reports
\SERV1\Archive\Documents\Service\Document Archive\EQ Credit Note
\SERV1\Archive\Documents\Service\Document Archive\EQ Invoice
\SERV1\Archive\Documents\Service\Document Archive\EQ Job Card
\SERV1\Archive\Documents\Service\Document Archive\EQ Mailer
\SERV1\Archive\Documents\Service\Document Archive\EQ Order Cancellation
\SERV1\Archive\Documents\Service\Document Archive\EQ Pick Note
\SERV1\Archive\Documents\Service\Document Archive\EQ Reports
\SERV1\Archive\Documents\Service\Document Archive\EQ Stock Exception
\SERV1\Archive\Documents\Service\Document Archive\Interface
\SERV1\Archive\Documents\Service\Document Archive\Mailer
\SERV1\Archive\Documents\Service\Document Archive\Service Invoices
\SERV1\Archive\Documents\Service\Document Archive\Service Invoices\Reprints
\SERV1\Archive\Documents\WareHouse\Document Archive\Pick Notes
\SERV1\Common Area\Accounts\Session Audit
c:\Data\User Area\Users\service\Document Archive\Service ePDQ
C:\Documents and Settings\Administrator.MYCOMPANYWATCH\Desktop\Reprint Folder\EQ Mailer
c:\Errors
C:\PlanetPress\APCBackup
C:\PlanetPress\APCBackup\XML Backup
C:\PlanetPress\APCFTP
C:\PlanetPress\Credit\capture1
C:\PlanetPress\Credit\capture2
C:\PlanetPress\Data Backup
C:\PlanetPress\Data Backup\EQCNote
C:\PlanetPress\Data Backup\EQCNote\Actual
c:\PlanetPress\Data Backup\EQCNote\Before
C:\PlanetPress\Data Backup\EQInvoice
C:\PlanetPress\Data Backup\EQInvoice\Actual
C:\PlanetPress\Data Backup\EQInvoice\Before
C:\PlanetPress\Data Backup\EQInvoice\Temp
```

Summary of Forms and Folders

Processes (18)

001:: (007)Startup process

002:: (061)Main Print Process

Forms used in this Process:

- Invoice-Canon.ptk
- Invoice-Ricoh.ptk
- ServiceInvoice.ptk
- Statement.ptk

Folders used in this Process:

- \\SERV1\Archive\Documents\Accounts\Document Archive\Statements
- \\SERV1\Archive\Documents\Materials\Document Archive\Invoices\By Account
- \\SERV1\Archive\Documents\Materials\Document Archive\Invoices\By Invoice
- \\SERV1\Archive\Documents\Sales\Document Archive\Invoices\By Account
- \\SERV1\Archive\Documents\Sales\Document Archive\Invoices\By Invoice
- \\SERV1\Archive\Documents\Service\Document Archive\Service Invoices
- C:\PlanetPress\Data Backup\Invoice
- C:\PlanetPress\Data Backup\Service Invoice
- C:\PlanetPress\Data Backup\Statement
- C:\PlanetPress\Des_Ack
- C:\PlanetPress\FTP
- C:\PlanetPress\Invoice\capture1
- C:\PlanetPress\Invoice\capture2
- C:\PlanetPress\Other
- C:\PlanetPress\Reports
- C:\PlanetPress\Service Invoice\Capture

003:: (048)General Sort and Print

Forms used in this Process:

- OutForm%8.ptk

Folders used in this Process:

- %{global.JRrootfolder}\input\txt
- %{global.JRrootfolder}\output\txt
- %{global.JRrootfolder}\output\txt\%{TASK_ID}
- C:\PP\Archive

004:: (016)Reprint Process

Forms used in this Process:

- ServiceInvoice.ptk

Folders used in this Process:

- \\NAS_Archive\PlanetPress\Data Backup
- \\SERV1\Archive\Documents\Service\Document Archive\Service Invoices
- \\SERV1\Archive\Documents\Service\Document Archive\Service Invoices\Reprints
- C:\PlanetPress\Other
- C:\PlanetPress\Reprint Input\Service Invoice
- C:\PlanetPress\Service Invoice\Capture99

005:: (015)Email Invoice Process

Forms used in this Process:

- ePDQ_email-Ricoh.ptk
- ePDQ_email-Sharp.ptk

Folders used in this Process:

- c:\Data\User Area\Users\service\Document Archive\Service ePDQ
- C:\PlanetPress\Data Backup
- C:\PlanetPress\ePDQ
- C:\PlanetPress\Other

006:: (002)WEBSITE FTP

Folders used in this Process:

- C:\PlanetPress\FTP

007:: (011)FTP Invoice Process

Forms used in this Process:

- Invoice-Canon.ptk

Folders used in this Process:

- C:\PlanetPress\FTP
- C:\PlanetPress\Generic
- C:\PlanetPress\Reprint Input\FTP

008:: (144)Reports Process

Forms used in this Process:

Reports-Sharp.ptk

Folders used in this Process:

```

\\eco\Common Area\Accounts\Session Audit
\\ExantBI\Accounts\Month End
\\ExantBI\Sales\Month End
\\ExantBI\Service\Month End
\\SERV1\Archive\Documents\Accounts\Document Archive\Accounts Office Posting List
\\SERV1\Archive\Documents\Accounts\Document Archive\AFI
\\SERV1\Archive\Documents\Accounts\Document Archive\Purchase Ledger
\\SERV1\Archive\Documents\Other\Document Archive
\\SERV1\Archive\Documents\Other\Document Archive\EDI
\\SERV1\Archive\Documents\Other\Document Archive\EDI Invoices
\\SERV1\Archive\Documents\Sales\Document Archive\Batch Allocation
\\SERV1\Archive\Documents\Sales\Document Archive\Invoice Credit Summary
\\SERV1\Archive\Documents\Sales\Document Archive\Manual Allocation
\\SERV1\Archive\Documents\Sales\Document Archive\Suspended Order Release
\\SERV1\Archive\Documents\Service\Document Archive\Analysis Reports
\\SERV1\Archive\Documents\Service\Document Archive\EQ Order Cancellation
\\SERV1\Archive\Documents\Service\Document Archive\EQ Reports
\\SERV1\Archive\Documents\Service\Document Archive\EQ Stock Exception
\\SERV1\Archive\Documents\Service\Document Archive\Interface
\\SERV1\Common Area\Accounts\Session Audit
C:\PlanetPress\Data Backup\Reports
C:\PlanetPress\Other
C:\PlanetPress\Reports

```

009:: (148)Client Processes

Forms used in this Process:

EQ PNote.ptk
EQCNote.ptk
EQCNoteP.ptk
EQInvoice.ptk
EQJobcard.ptk
EQJobLabel.ptk
EQMailer.ptk
Reports-Sharp.ptk

Folders used in this Process:

```

\\SERV1\Archive\Documents\Accounts\Document Archive\AFI
\\SERV1\Archive\Documents\Service\Document Archive\EQ Job Card
\\SERV1\Archive\Documents\Service\Document Archive\EQ Mailer
\\SERV1\Archive\Documents\Service\Document Archive\EQ Pick Note
\\SERV1\Archive\Documents\Service\Document Archive\EQ Reports
\\SERV1\Archive\Documents\Service\Document Archive\EQ Stock Exception
C:\PlanetPress\Data Backup\EQCNote
c:\PlanetPress\Data Backup\EQCNote\Before
C:\PlanetPress\Data Backup\EQInvoice
C:\PlanetPress\Data Backup\EQInvoice\Before
C:\PlanetPress\Data Backup\EQInvoice\Temp
C:\PlanetPress\Data Backup\EQJobCard
C:\PlanetPress\Data Backup\EQMailer
C:\PlanetPress\Data Backup\EQPNote
C:\PlanetPress\EQ
C:\PlanetPress\EQ\JobCard
C:\PlanetPress\EQMailer
C:\PlanetPress\EQMailer\Rebuild
C:\PlanetPress\FTP SERVICE
C:\PlanetPress\Other
C:\Users\administrator.MYCOMPANYWATCH\Desktop\invoice test
C:\Users\administrator.MYCOMPANYWATCH\Desktop\New folder

```

010:: (109)New Reprint

Forms used in this Process:

CNote - Canon.ptk
 CNote - Ricoh.ptk
 CNote.ptk
 Invoice-Canon.ptk
 Invoice-Ricoh.ptk
 Mailer.ptk
 PNote.ptk
 Remit.ptk
 Reports-Sharp.ptk
 ServiceInvoice.ptk
 Statement.ptk

Folders used in this Process:

\\SERV1\Archive\Documents\Accounts\Document Archive\Statements
 \\SERV1\Archive\Documents\Materials\Document Archive\Credit Notes
 \\SERV1\Archive\Documents\Materials\Document Archive\Invoices
 \\SERV1\Archive\Documents\Materials\Document Archive\Pick Notes
 \\SERV1\Archive\Documents\Sales\Document Archive\Credit Notes
 \\SERV1\Archive\Documents\Sales\Document Archive\Invoices
 \\SERV1\Archive\Documents\Service\Document Archive\Mailer
 \\SERV1\Archive\Documents\Service\Document Archive\Service Invoices
 \\SERV1\Archive\Documents\WareHouse\Document Archive\Pick Notes
 C:\PlanetPress\Credit\capture1
 C:\PlanetPress\Credit\capture2
 C:\PlanetPress\Data Backup
 C:\PlanetPress\EQ
 C:\PlanetPress\FTP
 C:\PlanetPress\Invoice\capture1
 C:\PlanetPress\Invoice\capture2
 C:\PlanetPress\Other
 C:\PlanetPress\PNote\capture1
 C:\PlanetPress\PNote\capture2
 C:\PlanetPress\Reports
 C:\PlanetPress\Reprint Input
 C:\PlanetPress\Service Invoice\Capture

011:: (002)Print pdf to Service

Forms used in this Process:

Folders used in this Process:

\\eco\User Area\Users\PlanetPress Print Input\PrintToService

012:: (006)Client Invoice Split

Forms used in this Process:

EQInvoice.ptk

Folders used in this Process:

\\SERV1\Archive\Documents\Service\Document Archive\EQ Invoice
 C:\PlanetPress\Data Backup\EQInvoice\Actual
 C:\PlanetPress\Data Backup\EQInvoice\Before

013:: (006)Client Credit Note Split

Forms used in this Process:

EQCNote.ptk

Folders used in this Process:

\\SERV1\Archive\Documents\Service\Document Archive\EQ Credit Note
 C:\PlanetPress\Data Backup\EQCNote\Actual
 C:\PlanetPress\Data Backup\EQCNote\Before

014:: (003)client Mailer Reprint

Forms used in this Process:

EQMailer.ptk

Folders used in this Process:

C:\Documents and Settings\Administrator.MYCOMPANYWATCH\Desktop\Reprint Folder\EQ Mailer

015:: (007)Client Despatch Acknowledgeme

Forms used in this Process:

EQ_Des_Ack.ptk

Folders used in this Process:

C:\PlanetPress\Des_Ack
 C:\PlanetPress\Des_Ack\capture

016:: (002)SERVICE FTP

Folders used in this Process:

C:\PlanetPress\FTP SERVICE



017:: (012)XML Submit

Folders used in this Process:

- %{rootdir}\out
- C:\PlanetPress\APCBackup
- C:\PlanetPress\APCBackup\XML Backup
- C:\PlanetPress\APCFTP

018:: (004)Error Process

Folders used in this Process:

- c:\Errors

Workload and Clash Analysis

Timing Clash List

Timing, process count, step count, and potential load of the "As Soon As" processes in this workflow.

Sec	Processes	Pot Tot Step	Pot % Load
0:004	8	241	39.97
1:005	3	10	1.66
2:007	2	32	5.31
3:008	1	6	1.00
4:010	3	304	50.41
5:020	1	11	1.82
Total Nodes :603			

One Minute Workload/Clash Analysis

Representation over one minute of the effect of clashes in the "As Soon As" processes.

Sec	Potential Percentage Load	Load	Procs	Steps
00:04	XX	39%	8	241
00:05	X	1%	3	10
00:07	XXXXXX	5%	2	32
00:08	XX	40%	9	247
00:10	XX	52%	6	314
00:12	XX	39%	8	241
00:14	XXXXXX	5%	2	32
00:15	X	1%	3	10
00:16	XX	40%	9	247
00:20	XX	93%	15	566
00:21	XXXXXX	5%	2	32
00:24	XX	40%	9	247
00:25	X	1%	3	10
00:28	XX	45%	10	273
00:30	XX	52%	6	314
00:32	XX	40%	9	247
00:35	XXXXXX	6%	5	42
00:36	XX	39%	8	241
00:40	XX	94%	16	572
00:42	XXXXXX	5%	2	32
00:44	XX	39%	8	241
00:45	X	1%	3	10
00:48	XX	40%	9	247
00:49	XXXXXX	5%	2	32
00:50	XX	52%	6	314
00:52	XX	39%	8	241
00:55	X	1%	3	10
00:56	XX	46%	11	279



Process 2::Main Print Process

Part of the Group
Date Generated:2/12/2016 at 1:29:26 PM by colin

Process Details

Process Summary

Name : Main Print Process
Active Process : Yes
Startup Process : No
Self Replicate? : No
Run As Soon As? : Yes
Delay (Secs) : 4

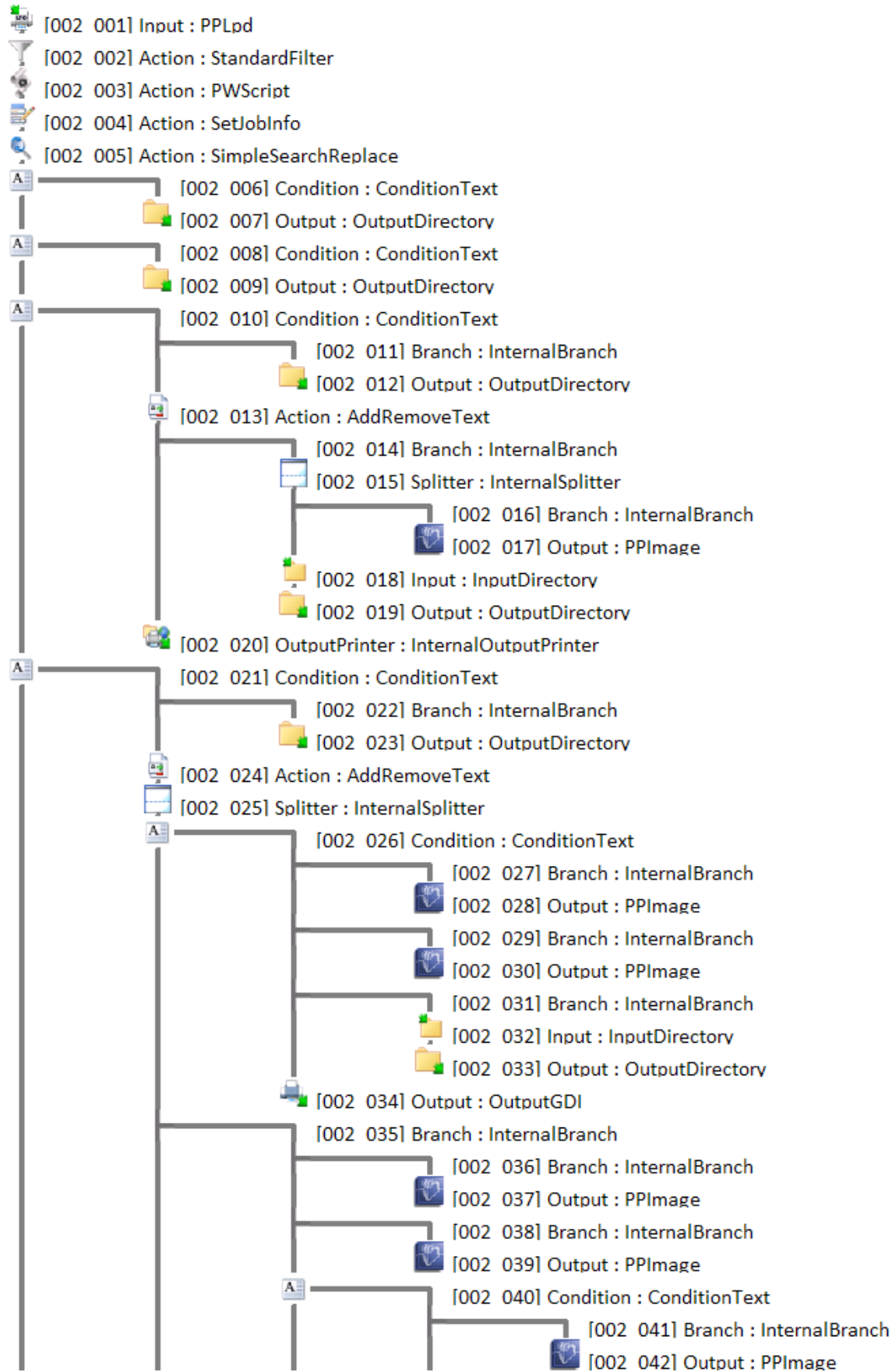
Emulation

Set Emulation to : Line Printer
Data Encoding :
Add/Remove Chars : 0
Add/Remove Lines : 0
Lines per page : 66
Pages in Buffer : 1
Cut on Form Feed : Yes

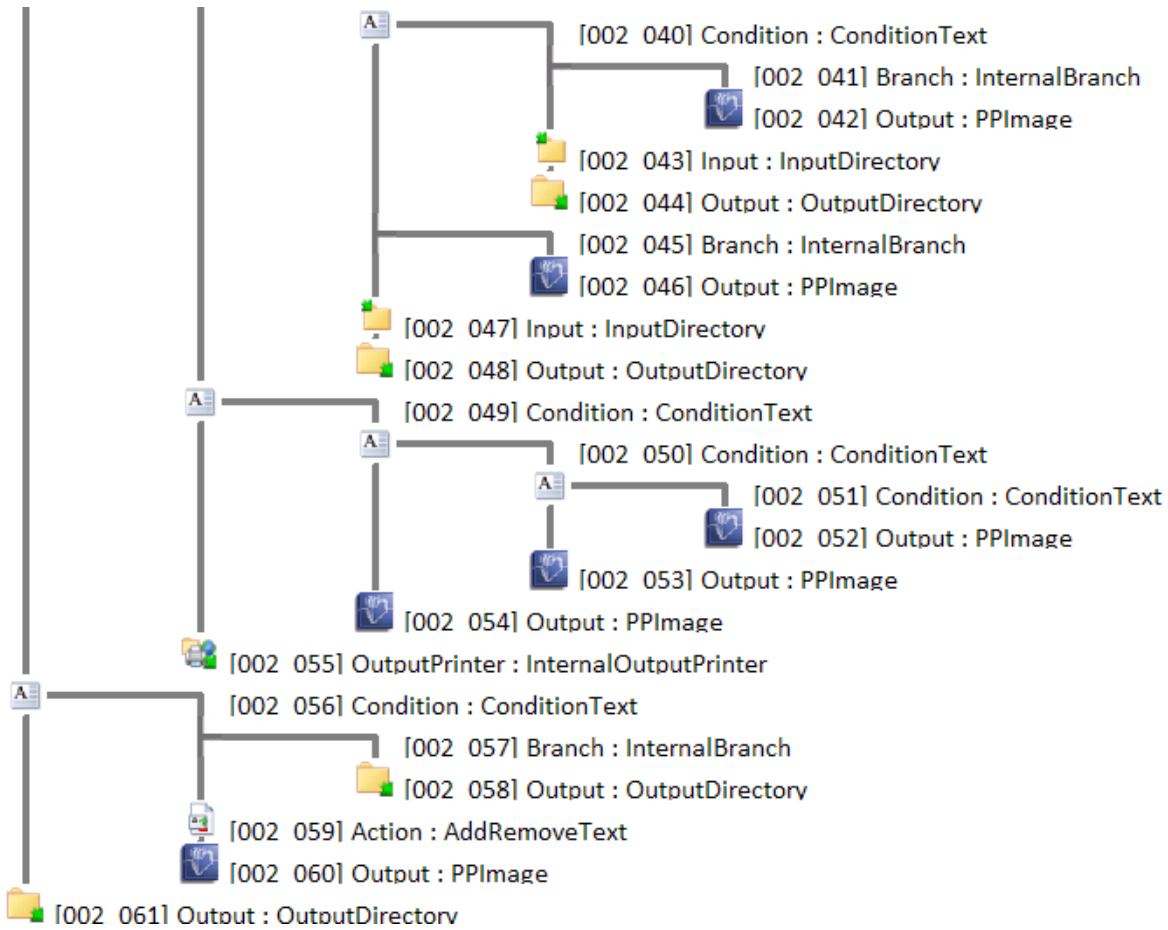
What this process does:

Description :
Comments :

Schematic of Process



PlanetPress Workflow Documentation



Workflow Detail:

- 001 1: Input:PPLpd**
LPD Input.
LPD Queue : lp
Error Action : Stop Process
- 002 2: Action:StandardFilter**
Standard filter.
ASCII Emulation : Yes
Convert HP ESC : No
Error Action : Default
- 003 3: Action:PWScript**
Run a script to process the Job File.

Script :
Type of script : Embedded Script
See full script details in : C:\Users\colin\Documents_Workflow\Citizen\Scripts\002_003_Main Print Process.txt
Line 1 : '*****'
Line 2 : ' This VBScript looks reads a specific formatted text file from
Line 3 : ' a line to a line and removes all no printable codes except for 0A,
Line 4 : ' OD & 0C
Error Action : Default
- 004 4: Action:SetJobInfo**
Set Job Infos and Variables.

%{TASK_ID} = @(1,1,1,1,99,KeepCase,Trim)
%{FILE_ID} = @(1,2,2,1,240,KeepCase,Trim)
%{PROCESS} = @(1,3,3,1,99,KeepCase,Trim)
%{DOCUMENT} = @(1,4,4,1,99,KeepCase,Trim)
%8 = %{DOCUMENT}
Send to Process : Yes
Process Name : 00ZTMSST41RMT66
Error Action : Stop Process
- 005 5: Action:SimpleSearchReplace**
Search and replace characters or words.
Find : '\$'
Replace with : '#163'
Error Action : Default
- 006 6: Condition:ConditionText**
if this text : 'Acknowledgement of Despatch'
: is found
: on the page
From Line : 1
To Line : 66
From Column : 1
From Column : 1

The following branch processes will be executed:
- 007 1: Output:OutputDirectory**
Directory : C:\PlanetPress\Des_Ack
File Name : %f
Concatenate : No
Separation String : \014
Error Action : Default
- 008 7: Condition:ConditionText**
if this text : 'REPORTS'
: is found
: on
From Line : 2
To Line : 66
From Column : 1
From Column : 1

The following branch processes will be executed:
- 009 1: Output:OutputDirectory**
Directory : C:\PlanetPress\Reports
File Name : %f
Concatenate : No
Separation String : \014
Error Action : Default

010 **8: Condition:ConditionText**
if this text : 'ServiceInvoice'
 : is found
 : on
From Line : 2
To Line : 66
From Column : 1
From Column : 1

The following branch processes will be executed:

011 **1: Branch:InternalBranch**

Non-Conditional Branch - the data file will be duplicated
and the following branch processes will be completed :

012 **1: Output:OutputDirectory**
Directory : C:\PlanetPress\Data Backup\Service Invoice
File Name : Service Invoice - %f
Concatenate : No
Separation String : \014
Error Action : Default

013 **2: Action:AddRemoveText**
Add or Remove : Remove
Position : Beginning of File
Content :

Lines

Add Lines :
Remove Lines : 2
Error Action : Default

014 **3: Branch:InternalBranch**

Non-Conditional Branch - the data file will be duplicated
and the following branch processes will be completed :

015 **1: Splitter:InternalSplitter**
Split the job in smaller pieces.
NB - Incomplete.
Split Dada On : A Word Change
Use Emulation : No
Consider Case : Yes
Trim : No
On Line : 3
From Col : 108
To Col : 114
From Line : 3
To Line : 3
Pages : 1
Before or after : Before
Pages : 0
Error Action : Default

016 **2: Branch:InternalBranch**

Non-Conditional Branch - the data file will be duplicated
and the following branch processes will be completed :

017 **1: Output:PPIImage**
Generate a PP Image output.
Host : 127.0.0.1
Document : ServiceInvoice.ptk
Add Job Info : Yes
VDX Enabled Forms : No
Run Mode : Printer Centric
Archive Output : Yes
Archive Folder : \\SERV1\Archive\Documents\Service\Document Archive\Service Invoices
Filename : Service Invoice No @(1,3,3,109,117,KeepCase,NoTrim) - %d%m%y - %h%n%s - %u.pdf
Add Extension : Yes
Index : None
Send Email : No
output Type : PDF
PDF Job Options : Standard Quality
See Screen and Defaults for all options
Add Page No : No
Error Action : Default

018 **3: Input:InputDirectory**
Mask : *.*
Folder : C:\PlanetPress\Service Invoice\Capture
Error Action : Default

019 **4: Output:OutputDirectory**
 Directory : C:\PlanetPress\Service Invoice\Capture
 File Name : %f
 Concatenate : Yes
 Separation String : \014
 Error Action : Default

020 **4: OutputPrinter:InternalOutputPrinter**

 Document : ServiceInvoice.ptk
 Copies : 1
 Queue Name : Parts
 Port : Windows Output
 Win Queue Name : Ricoh Parts
 Name : %f
 Job Owner Name :
 Error Action : Default

021 **9: Condition:ConditionText**
 if this text : 'Invoice'
 : is found
 : on
 From Line : 2
 To Line : 66
 From Column : 1
 From Column : 1

The following branch processes will be executed:

022 **1: Branch:InternalBranch**

 Non-Conditional Branch - the data file will be duplicated
 and the following branch processes will be completed :

023 **1: Output:OutputDirectory**
 Directory : C:\PlanetPress\Data Backup\Invoice
 File Name : Invoice - %f
 Concatenate : No
 Separation String : \014
 Error Action : Default

024 **2: Action:AddRemoveText**
 Add or Remove : Remove
 Position : Beginning of File
 Content :

Lines

 Add Lines :
 Remove Lines : 2
 Error Action : Default

025 **3: Splitter:InternalSplitter**
 Split the job in smaller pieces.
 NB - Incomplete.
 Split Dada On : A Word Change
 Use Emulation : No
 Consider Case : Yes
 Trim : No
 On Line : 7
 From Col : 118
 To Col : 124
 From Line : 7
 To Line : 7
 Pages : 1
 Before or after : Before
 Pages : 0
 Error Action : Default

026 **4: Condition:ConditionText**
 if this text : 'Z'
 : is found
 : at
 From Line : 19
 To Line : 20
 From Column : 12
 From Column : 12

The following branch processes will be executed:

027 **1: Branch:InternalBranch**

 Non-Conditional Branch - the data file will be duplicated
 and the following branch processes will be completed :

Detail Omitted for Brevity

056 **10: Condition:ConditionText**
 if this text : 'Statement'
 : is found
 : on
 From Line : 2
 To Line : 66
 From Column : 1
 From Column : 1

The following branch processes will be executed:

057 **1: Branch:InternalBranch**

Non-Conditional Branch - the data file will be duplicated
and the following branch processes will be completed :

058 **1: Output:OutputDirectory**
 Directory : C:\PlanetPress\Data Backup\Statement
 File Name : Statement - %f
 Concatenate : No
 Separation String : \014
 Error Action : Default

059 **2: Action:AddRemoveText**
 Add or Remove : Remove
 Position : Beginning of File
 Content :

Lines
 Add Lines :
 Remove Lines : 2
 Error Action : Default

060 **3: Output:PPImage**
 Generate a PP Image output.
 Host : 127.0.0.1
 Document : Statement.ptk
 Add Job Info : Yes
 VDX Enabled Forms : No
 Run Mode : Printer Centric
 Archive Output : Yes
 Archive Folder : \\SERV1\Archive\Documents\Accounts\Document Archive\Statements
 Filename : Statements %d%m%y.pdf
 Add Extension : Yes
 Index : None
 Send Email : No
 output Type : PDF
 PDF Job Options : Standard Quality
 See Screen and Defaults for all options
 Add Page No : No
 Error Action : Default

061 **11: Output:OutputDirectory**
 Directory : C:\PlanetPress\Other
 File Name : %f
 Concatenate : No
 Separation String : \014
 Error Action : Default

Scripts in the Process

002_003_Main Print Process

```
*****
' This VBScript looks reads a specific formatted text file from
' a line to a line and removes all no printable codes except for 0A,
' OD & 0C
'
' Date : 6th February 2003
' Modified to process TABS
' Date : 18th August 2003
'
' Global variables
*****
Dim g_fsObject

Set g_fsObject = CreateObject("Scripting.FileSystemObject")
Dim tabspace
*****
' Main
*****
' Declare two text file objects for input and output
Dim l_textInput, l_textOutput, ls_tempPath, ls_tempName, ls_string, out_string

' Create the input text file object
Set l_textInput = g_fsObject.OpenTextFile(PW_GetJobFilename, 1)

' Get the temp path
ls_tempPath = g_fsObject.GetFile(PW_GetJobFilename).ParentFolder.Path

' Get the temp file name
ls_tempName = g_fsObject.GetTempName

' Create an opened temp output file
Set l_textOutput = g_fsObject.GetFolder(ls_tempPath).CreateTextFile(ls_tempName)

tabspaces = 8
outindx = 1

' Read the input file line by line
Do While l_textInput.AtEndOfStream <> True

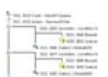
    ls_string = l_textInput.Read(4096)
    out_string = ""

    For i = 1 To Len(ls_string)
        check_char = Mid(ls_string,i,1)

        If(IsNull(check_char)=False) Then
            If((Asc(check_char)<32) or (Asc(check_char)>126)) and not (Asc(check_char)=156) Then
                Select Case check_char
                    Case Chr(09)
                        'add up to tabspace of spaces
                        padding = (outindx Mod tabspaces)
                        If padding = 0 Then
                            padding = 8
                        End if
                        For j = outindx To (outindx + tabspaces - padding)
                            out_string = out_string + " "
                            outindx = outindx + 1
                        Next
                    Case Chr(10),Chr(12),Chr(13)
                        out_string = out_string + check_char
                        outindx = 1
                End Select
            Else
                out_string = out_string + check_char
                outindx = outindx + 1
            End If
        End If
    Next
    l_textOutput.Write(out_string)

Loop
l_textInput.Close
l_textOutput.Close

' Delete the input file and rename the changed file
g_fsObject.DeleteFile PW_GetJobFilename, true
g_fsObject.MoveFile ls_tempPath+"\ "+ls_tempName, PW_GetJobFileName
```



Process 5::Email Invoice Process

Part of the Group
Date Generated:2/12/2016 at 1:41:34 PM by colin

Process Details

Process Summary

Name : Email Invoice Process
Active Process : Yes
Startup Process : No
Self Replicate? : No
Run to a schedule? : Yes
Month : All
Week : All Weeks
Interval : 01:00

```
.....Su.Mo.Tu.We.Th.Fr.Sa.  
12:00:00 AM . . . . .  
01:00:00 AM . . . . .  
02:00:00 AM . . . . .  
03:00:00 AM . . . . .  
04:00:00 AM . . . . .  
05:00:00 AM . . . . .  
06:00:00 AM . . . . .  
07:00:00 AM . Y Y Y Y Y .  
08:00:00 AM . . . . .  
09:00:00 AM . . . . .  
10:00:00 AM . . . . .  
11:00:00 AM . Y Y Y Y Y .  
12:00:00 PM . . . . .  
01:00:00 PM . . . . .  
02:00:00 PM . . . . .  
03:00:00 PM . Y Y Y Y Y .  
04:00:00 PM . . . . .  
05:00:00 PM . . . . .  
06:00:00 PM . . . . .  
07:00:00 PM . . . . .  
08:00:00 PM . . . . .  
09:00:00 PM . . . . .  
10:00:00 PM . . . . .  
11:00:00 PM . . . . .
```

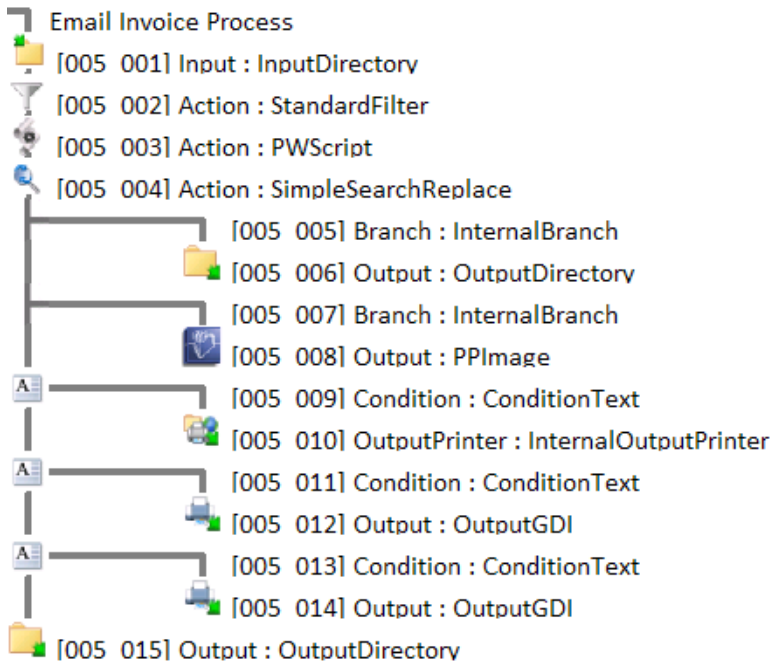
Emulation

Set Emulation to : Line Printer
Data Encoding :
Add/Remove Chars : 0
Add/Remove Lines : 0
Lines per page : 66
Pages in Buffer : 1
Cut on Form Feed : Yes

What this process does:

Description :
Comments :

Schematic of Process



Workflow Detail:

- 001 1: Input:InputDirectory**
Mask : *.*
Folder : C:\PlanetPress\EPDQ
Error Action : Stop Process
- 002 2: Action:StandardFilter**
Standard filter.
ASCII Emulation : Yes
Convert HP ESC : No
Error Action : Default
- 003 3: Action:PWScript**
Run a script to process the Job File.
Script :
See full script details in : C:\Users\colin\Documents_Workflow\Citizen\Scripts\005_003_Email Invoice Process.txt
Error Action : Default
- 004 4: Action:SimpleSearchReplace**
Search and replace characters or words.
Find : 'L'
Replace with : '#163'
Error Action : Default
- 005 5: Branch:InternalBranch**
Non-Conditional Branch - the data file will be duplicated and the following branch processes will be completed :
- 006 1: Output:OutputDirectory**
Directory : C:\PlanetPress\Data Backup
File Name : EPDQ - %f
Concatenate : No
Separation String : \014
Error Action : Default
- 007 6: Branch:InternalBranch**
Non-Conditional Branch - the data file will be duplicated and the following branch processes will be completed :

008 **1: Output:PPImage**
Generate a PP Image output.
Host : 127.0.0.1
Document : ePDQ_email-Sharp.ptk
Add Job Info : Yes
VDX Enabled Forms : No
Run Mode : Printer Centric
Archive Output : Yes
Archive Folder : c:\Data\User Area\Users\service\Document Archive\Service ePDQ
Filename : %f
Add Extension : Yes
Index : None
Send Email : No
output Type : PDF
PDF Job Options : Standard Quality
See Screen and Defaults for all options
Add Page No : No
Error Action : Default

009 **7: Condition:ConditionText**
if this text : 'A credit for the amount'
 : is found
 : on
From Line : 3
To Line : 3
From Column : 1
From Column : 1

The following branch processes will be executed:

010 **1: OutputPrinter:InternalOutputPrinter**

Document : ePDQ_email-Sharp.ptk
Copies : 1
Queue Name : Ricoh Printer
Port : Windows Output
Win Queue Name : RICOH MPC2800
Name : %f
Job Owner Name :
Error Action : Default

011 **8: Condition:ConditionText**
if this text : 'Order #: m'
 : is found
 : in area
From Line : 3
To Line : 3
From Column : 1
From Column : 1

The following branch processes will be executed:

012 **1: Output:OutputGDI**
Print Using Windows Driver.
Printer Queue : RICOH Warehouse
Job Name : %f
Job Owner :
Document : ePDQ_email-Ricoh.ptk
Add Job Info : Yes
Error Action : Default

013 **9: Condition:ConditionText**
if this text : 'Order #: M'
 : is found
 : in area
From Line : 3
To Line : 3
From Column : 1
From Column : 1

The following branch processes will be executed:

014 **1: Output:OutputGDI**
Print Using Windows Driver.
Printer Queue : RICOH Warehouse
Job Name : %f
Job Owner :
Document : ePDQ_email-Ricoh.ptk
Add Job Info : Yes
Error Action : Default

015 **10: Output:OutputDirectory**
Directory : C:\PlanetPress\Other
File Name : %f
Concatenate : No
Separation String : \014
Error Action : Default